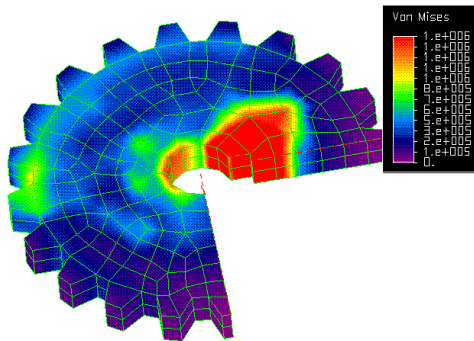


THE COMPANY

Located in San Antonio, Texas, our staff has supported clients around the world. Our primary expertise is in the **aerospace**, **petroleum**, and **heavy equipment** industries. However, our years in business have introduced us to many varied fields. Our staff provides a complete engineering package. We assist our clients in whatever capacity they need; from proposal writing, through product design and analysis, to marketing, patents and quality control.

ENGINEERING ANALYSIS



SVIEW 4.18 Filesprocks LC 1/ 1 Vu=U2 Lo= -5 Lo= 50 R= 6

- Finite Element Analysis
- Composite Materials Analysis
- Metal Matrix Materials Analysis
- Fatigue & Fracture Mechanics
- Human Factors

BEC Corporation

1017 Central Parkway North, Ste. 115
San Antonio, Texas 78232 USA
Phone: (210) 340-3154
www.bailey-engineering.com
E-Mail: gbailey@bailey-engineering.com

BAILEY Engineering Consultants

Aerospace | Petroleum | Industrial | Mechanical

www.bailey-engineering.com

Engineering ~ Drafting ~ Multimedia
Program Management Support
Government Contracts

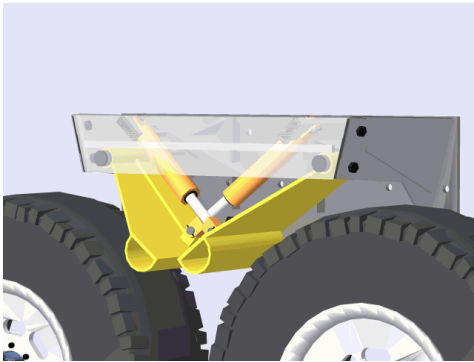


Future Solutions Now

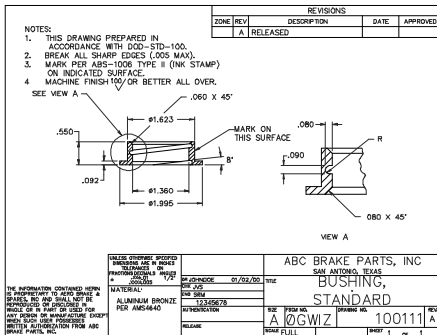
BAILEY Engineering Consultants

was founded in 1983 to provide complete engineering, management, and technical support services to Government and private industry.

DESIGN & DRAFTING

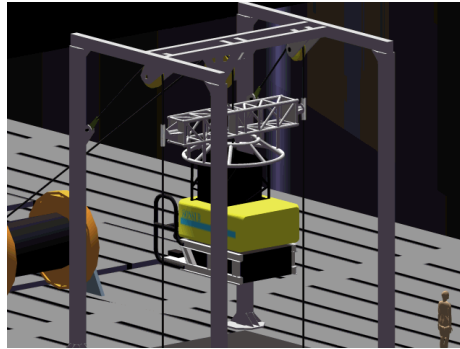


Our staff have been utilizing CADD technology since it became commercially available in 1984. Our knowledge and skill have resulted in an extremely efficient design-drafting department which has received many accolades from past clients. Our draftsmen specialize in 2-D and 3-D drawings, and each drawing package is created to ANSI, DOD, or “customer specific” drawing standards. Many years of manufacturing experience have given us an added advantage in the development of specialized tooling, gauging or machinery.



- Mechanical Equipment Design
- Design Analysis
- Failure Analysis

MULTIMEDIA



Since it can sometimes be very difficult to convey technical information through words or text, we have developed multimedia resources to create 3-D renderings and fully animated representations of the technology that we are involved with. On several occasions, we have been asked to assist clients in the training or dissemination of information associated with their technology. In order to meet these requests, we secured authoring software which enables us to create fully interactive programs presenting the information with graphics, text, animation, narration, and/or sound. These programs are stored on compact disc and used either alone or in conjunction with a presenter. These presentation packages do not only deliver the information, they can be developed to measure the retention and understanding through diagnostic testing, as well.

- Provisioning & Training
- Technical Writing
- QA/QC Support

GOVERNMENT CONTRACTS



While our charter is typically one of support, we have performed a number of government contracts as Prime Contractor. This experience has allowed us to develop internal procedures which have been well received, and greatly respected, by the government agencies we have been involved with. These procedures have been used to provide support to many companies involved with their own government contracts. Some clients were conducting their first DOD program and others had prior experience. Our involvement has been requested by certain government agencies. Our support efforts have sometimes been limited to tasks identified in the contract, such as System Safety Hazard Analysis, Technical Documentation, or Provisioning. Other times, we start at the proposal phase and assist in the generation of the technical or management sections.

- Technical Data Packages
- System Safety Analysis
- Proposal Support